



3 Way Ball Valves PN 20 (Class 150)

AIT & IIT Construction (Carbon & Stainless Steel)

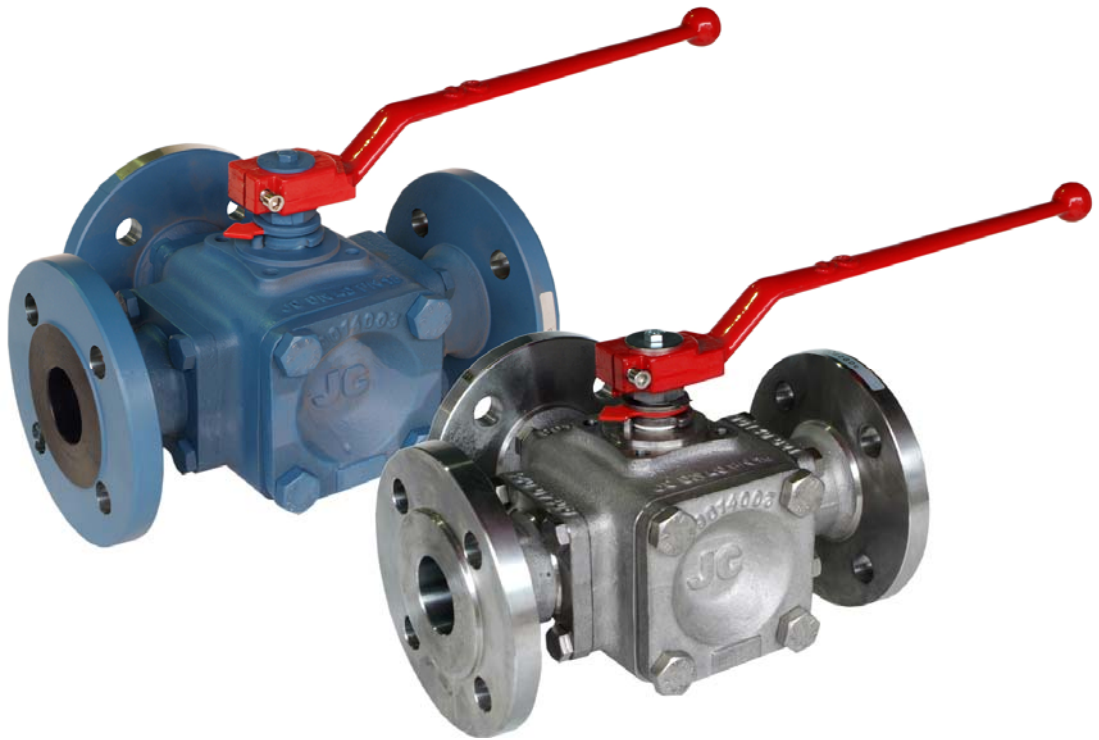


Fig. 915 L or T port

Manufacturing program:



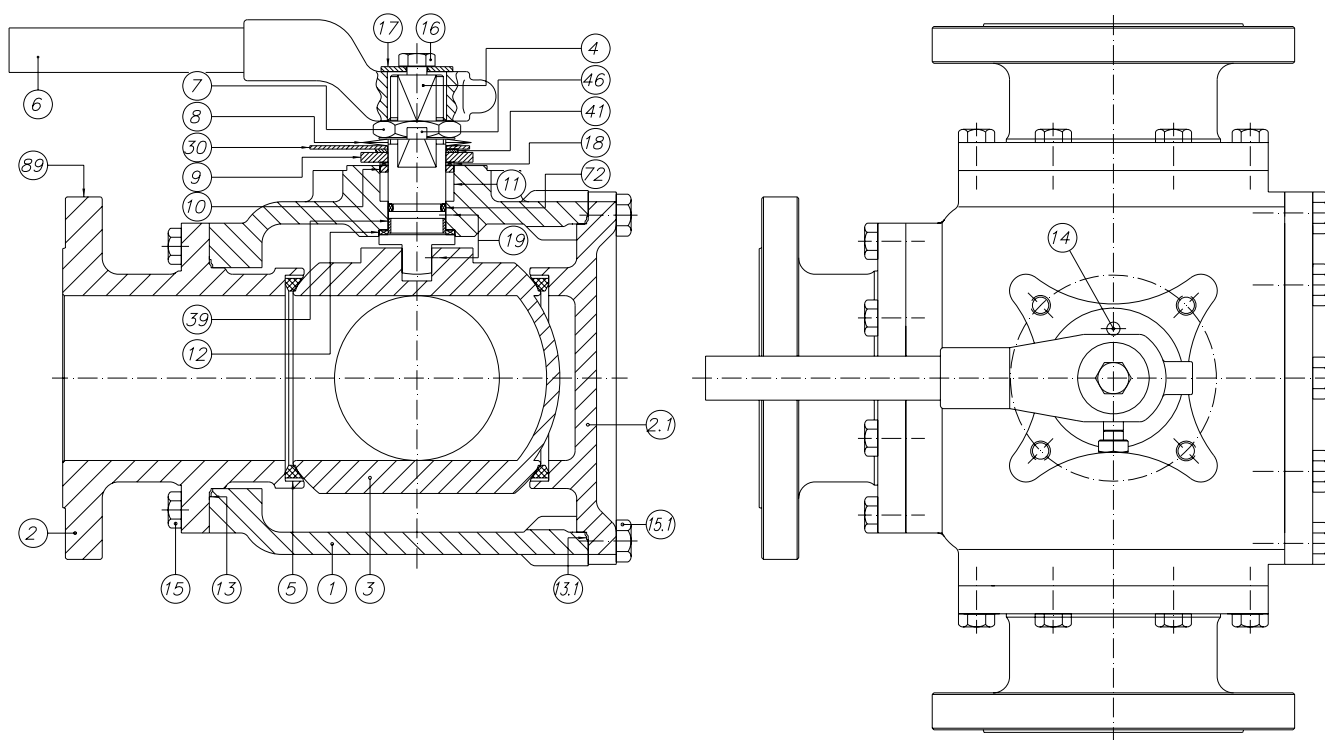
Quality & Environmental Management:





3 Way Ball Valves PN 20 (Class 150)

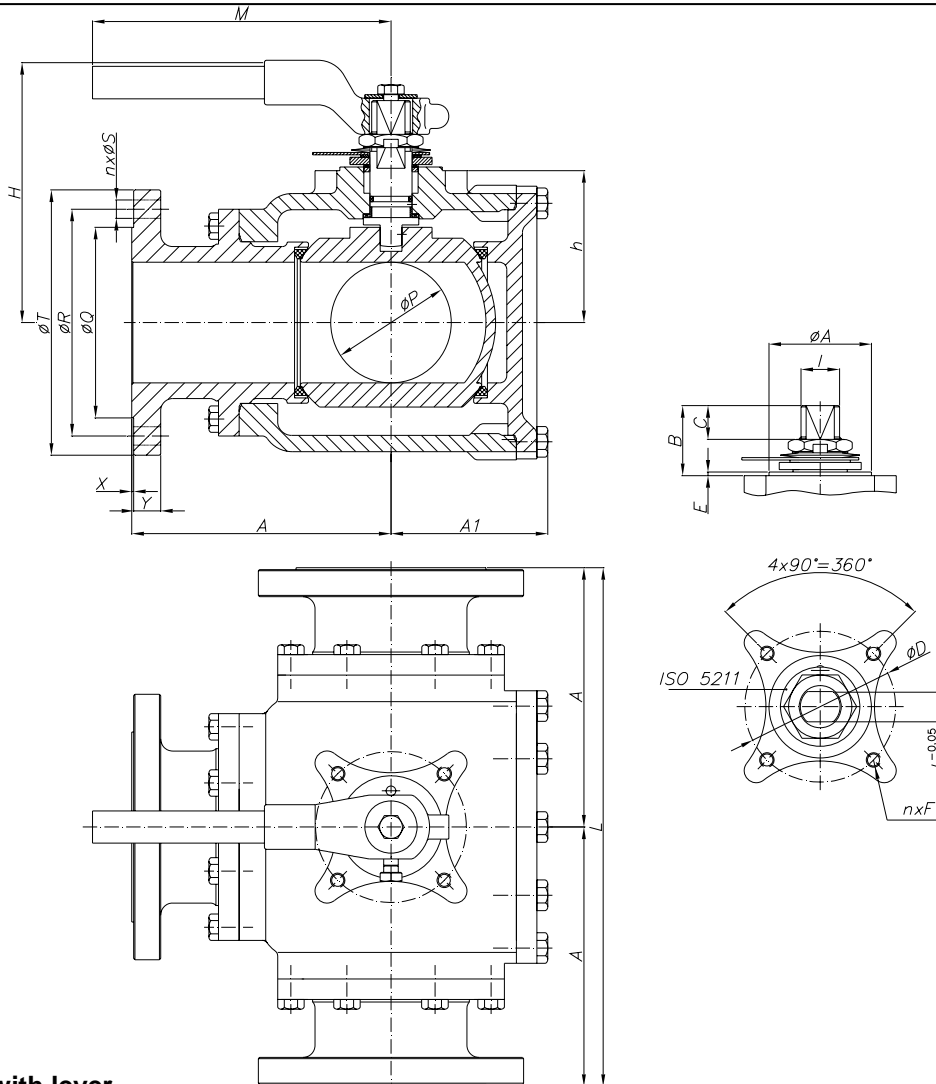
Parts and materials



Item	Description	Material	
		AIT	IIT
1	Body	A 216 Gr. WCB (C ≤ 0,25%)	A 351 Gr. CF8M
2	Body connector	A 216 Gr. WCB (C ≤ 0,25%)	A 351 Gr. CF8M
2.1	Side Cover	A 216 Gr. WCB (C ≤ 0,25%)	A 351 Gr. CF8M
3	Ball	A 351 Gr. CF8M	
4	Stem	A 479 Tp.316	
5	Seat ring	PTFE	
6	Wrench	Nodular Iron	
7	Gland nut	Zinc plated carbon steel	AISI 303
8	Disk spring	Carbon St.	E.N.P. Carbon St.
9	Stop plate	Carbon St.	AISI 304
10	Gland	AISI 303	AISI 316
11	Gland packing	PTFE	
12	Stem thrust seal	25% G.F. PTFE	
13	Body Connector Seal	PTFE	
13.1	Body Cover Seal	PTFE	
14	Stop pin	Carbon St.	Stainless St.
15	Bolt	DIN 933 A4 - 70	
15.1	Bolt	DIN 933 A4 - 70	
16	Bolt	DIN 933 5.6 Zinc plated	DIN 933 A2
17	Washer	Zinc plated carbon steel	AISI 304
18	Thrust Washer	25% G.F. PTFE	
19	Antistatic device	Stainless St.	
30	Pointer	Rilsan coated Carbon St.	
39	Stem bushing	25% G.F. PTFE	
41	Spacer	Carbon St.	AISI 304
46	Locking Washer	AISI 304	
89	Identification plate	Stainless St.	

3 Way Ball Valves PN 20 (Class 150)

Dimensions



Valve with lever

DN	ØP	L	A	A1	H	h	M	ØT	ØR	ØQ	X	Y	n x ØS	WEIGHT
1"	25	212	106	60	162	48	214	108	79,2	50,8	1,6	12,4	4x15,7	8
1½"	40	262	131	80	175	60	214	127	98,6	73,2	1,6	13,4	4x15,7	17
2"	50	290	145	94	195	69	350	152,4	120,7	91,9	1,6	15,1	4x19,1	25
2½"	65	325	162,5	104	209	86	450	177,8	139,7	104,6	1,6	17	4x19,1	34
3"	80	370	185	112	202	107	465	190,5	152,4	127	1,6	18,5	4x19,1	51
4"	100	430	215	130	222	126	715	228,6	190,5	157,2	1,6	22,3	8x19,1	77
6"	150	500	250	188	250	173	845	279,4	241,3	215,9	1,6	23,8	8x22,4	138

(*) Dimensions in mm and weight in kg.

Free stem dimensions

DN	ISO 5211	ØA	B	C	ØD	E	n x F	I	J
1"	F05	35	34,5	11,2	50	3	4xM6	M16x1.5	12
1½"	F07	55	42,5	17,7	70	3	4xM8	M18x1.5	13
2"	F07	55	45,5	17,7	70	3	4xM8	M22x1.5	16
2½"	F10	70	44,5	18,7	102	3	4xM10	M25x1.5	18
3"	F10	70	58	27,2	102	3	4xM10	M28x1.5	20
4"	F12	85	58	27,2	125	3	4xM12	M35x2	25
6"	F14	100	69	35,5	140	3	4xM16	M45x2	32

(*) Dimensions in mm and weight in kg.



3 Way Ball Valves PN 20 (Class 150)

General Characteristics, Torque & Kv , P&T Rating

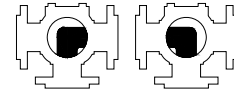
GENERAL CHARACTERISTICS	Fig.915 Series MFF	M ultiport	F loating Ball	F ull Bore
DESIGN STANDARDS				
Valves design	ASME B16.34			
Shell thickness	ASME B16.34			
Flanges	ASME B16.5			
Face to face dimensions	Manufacturer Standards			
Shell finishing quality	MSS SP 55			
Marking	BS 5351	EN 19	CE - PED	
Actuator mounting flange	ISO 5211			
TESTS AND CERTIFICATES				
Quality Assurance	ISO 9001	CE - PED		
Pressure testing	BS 6755 Part 1	ISO 5208	EN 12266	
Other	ISO 14001	ATEX		

Torque Values in Nm

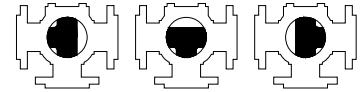
VALVE SIZE	AT DIFFERENTIAL	
	PN 20 (Class 150)	
	L	T
25 (1")	32	32
40 (1 ½")	71	71
50 (2")	130	130
65 (2½")	195	195
80 (3")	260	260
100 (4")	494	494
150 (6")	689	689

Port combinations

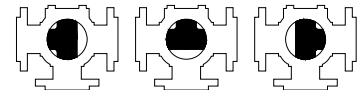
3 WAY **L** PORT



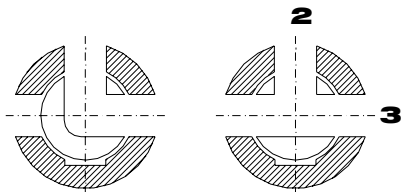
3 WAY **T** PORT



3 WAY INVERTED **T** PORT



Kv Values in m³/h



DN	PORT L	PORT T	
		PORT 2	PORT 3
25 (1")	20,4	28,9	51
40 (1 ½")	51,85	51,85	149,6
50 (2")	42,5	80,75	249,9
65 (2½")	136,85	136,85	478,55
80 (3")	206,55	291,55	732,7
100 (4")	323	323	1217,2
150 (6")	726,75	726,75	3087,2

Pressure-Temperature

For A216 Gr. WCB only. For other materials consult ASME B16.34

P Bar

